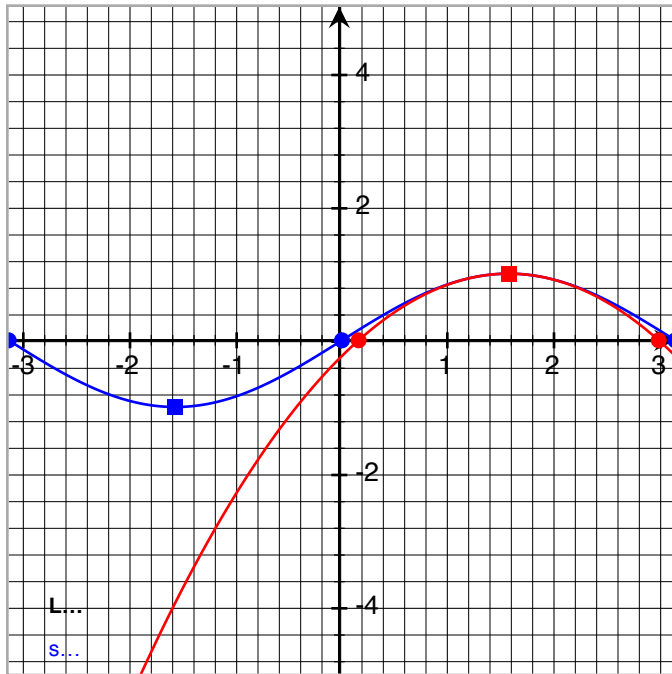


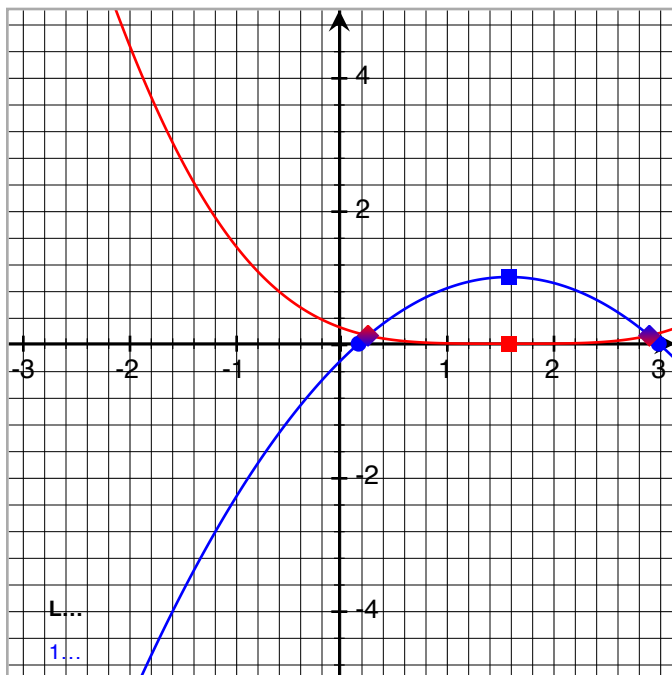
$$\sin(x)$$

$$1 - \frac{\left(x - \frac{\pi}{2}\right)^2}{2}$$

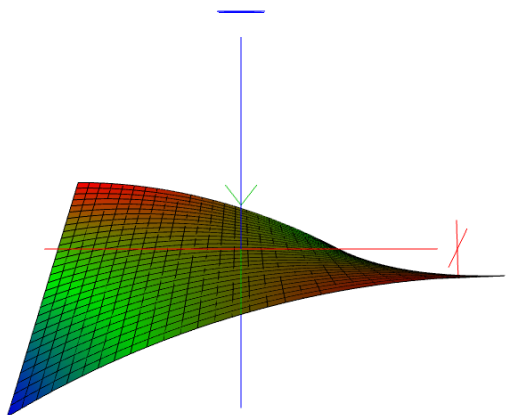


$$1 - \frac{\left(x - \frac{\pi}{2}\right)^2}{2}$$

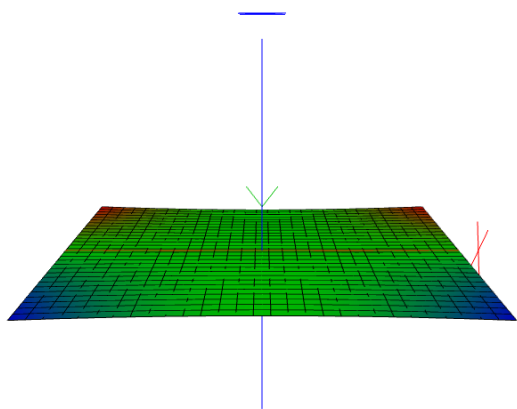
$$\sin(x) - 1 + \frac{\left(x - \frac{\pi}{2}\right)^2}{2}$$



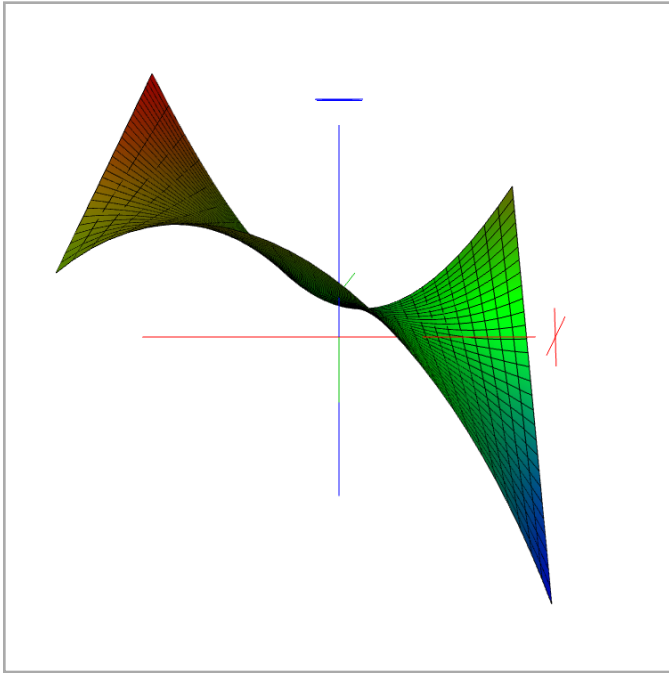
$$-(x+2)^2 - 2*(x+2)*(y+2)$$



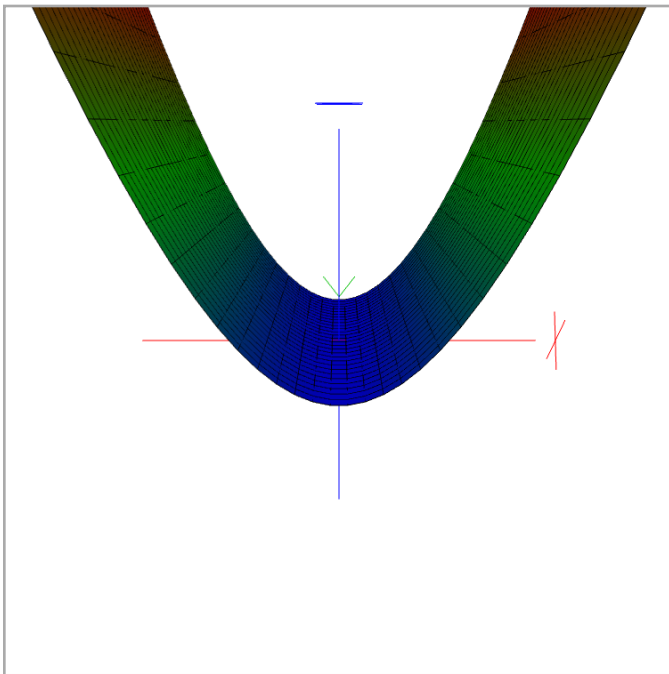
$$(x+2)^2*(y+2)$$



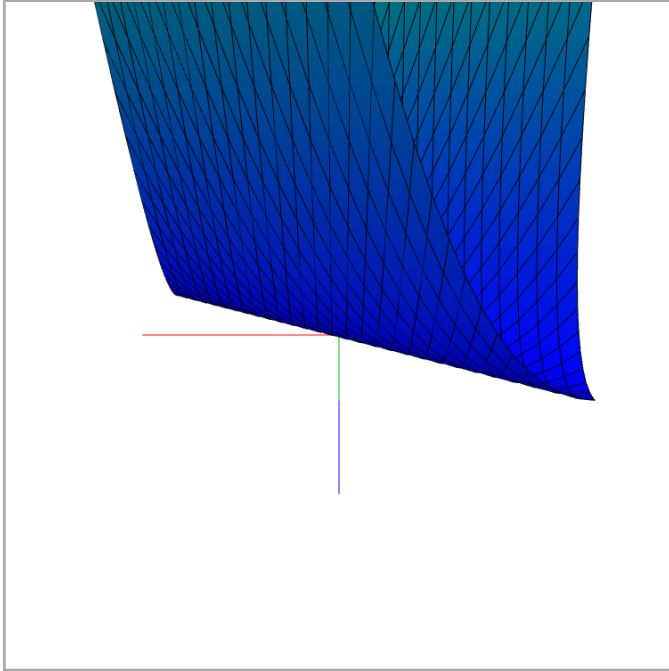
$$x^2*y+x^2+2x*y$$



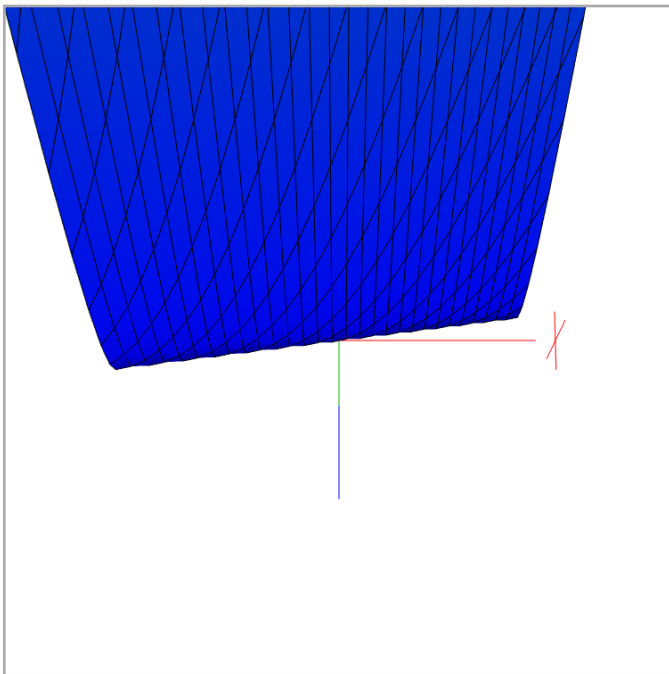
$$x^2$$



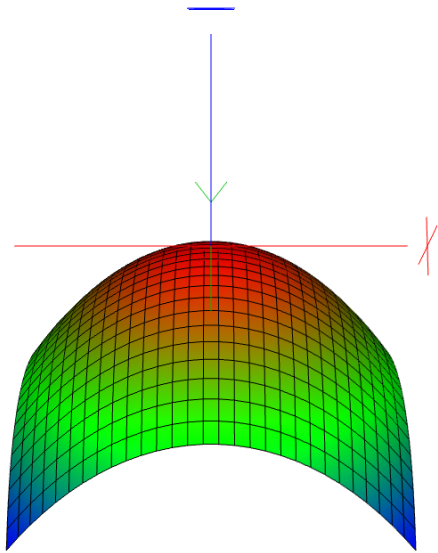
$$(x+y)^2$$



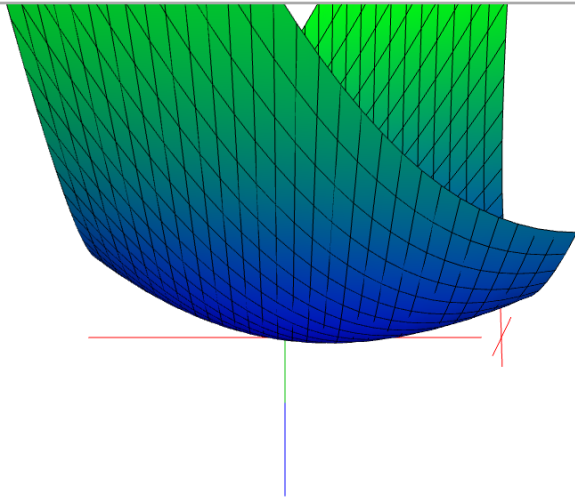
$$(-x+2y)^2$$



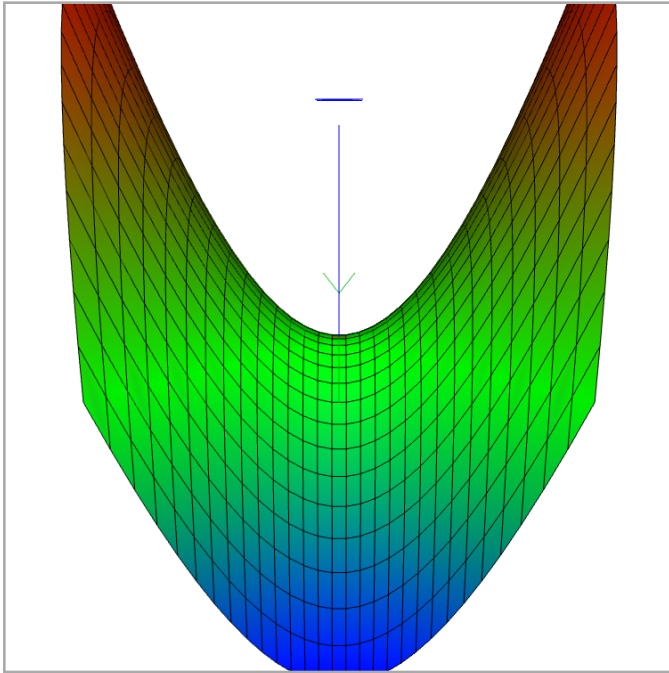
$$-x^2 - y^2$$



$$(x+y)^2 + y^2$$



$$x^2 - y^2$$



$$x \cdot y$$

